

Central American Goalball Championships  
 1 December 2014 - 6 December 2014  
 Managua, Nicaragua

Men's Competition

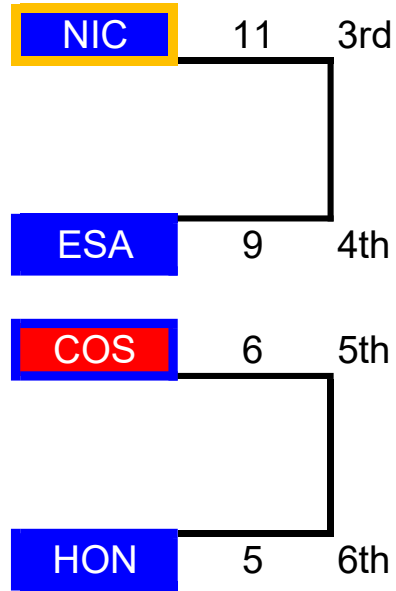
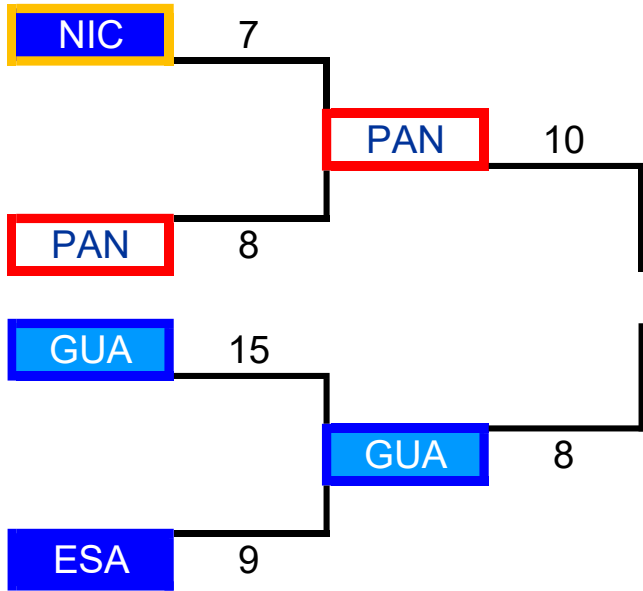
Ladder

	Won	Draw	Lost	For	Agst	Plyd	Pts	G Diff
NIC	4	0	1	59	40	5	12	19
GUA	4	0	1	36	29	5	12	7
ESA	3	0	2	44	47	5	9	-3
PAN	2	0	3	55	45	5	6	10
COS	1	1	3	36	34	5	4	2
HON	0	0	5	28	73	5	0	-45

Results

	COS	ESA	GUA	HON	NIC	PAN
COS	XXX	6-7	2-5	9-2	11-15	8-8
ESA	7-6	XXX	7-10	15-6	4-12	11-9
GUA	5-2	10-9	XXX	12-2	2-8	9-8
HON	2-9	6-15	2-12	XXX	9-18	9-19
NIC	15-11	12-4	8-2	18-9	XXX	8-13
PAN	8-8	9-11	8-9	19-9	13-8	XXX

Finals



Standings

Gold	PANAMÁ
Silver	GUATEMALA
Bronze	NICARAGUA
4th	EL SALVADOR
5th	COSTA RICA
6th	HONDURAS

Central American Goalball Championships  
1 December 2014 - 6 December 2014  
Managua, Nicaragua

Women's Competition

Ladder

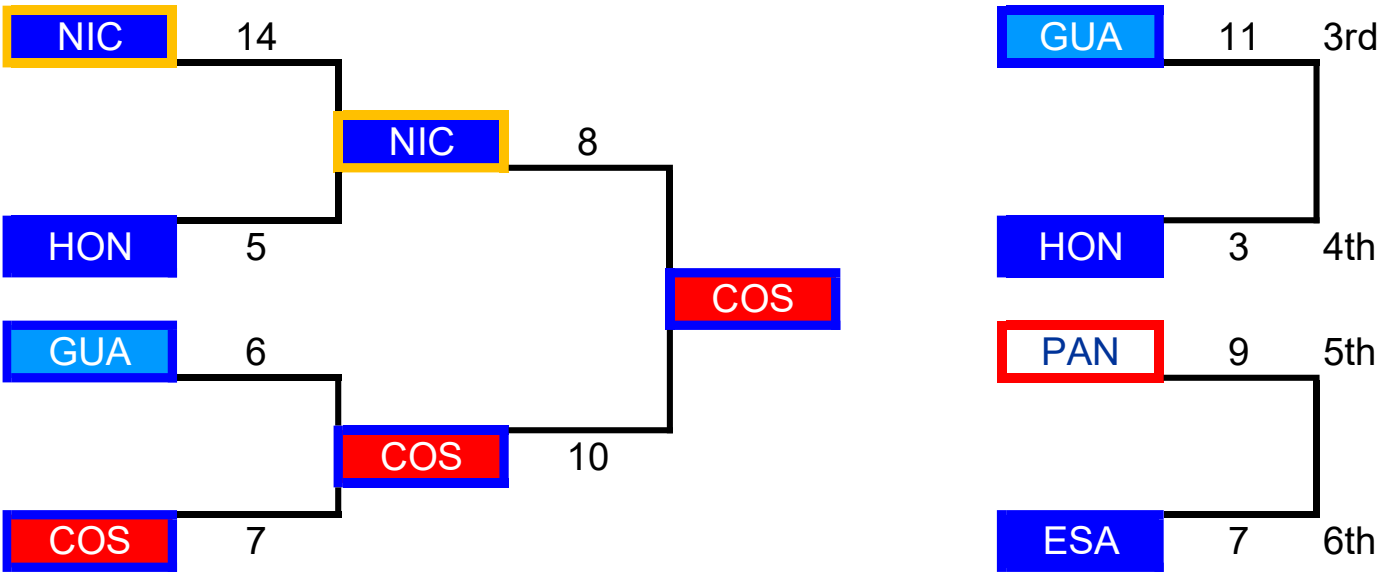
	Won	Draw	Lost	For	Agst	Plyd	Pts	G Diff
NIC	5	0	0	56	19	5	15	37
GUA	3	0	2	41	22	5	9	19
COS	3	0	2	29	26	5	9	3
HON	2	0	3	29	44	5	6	-15
PAN	1	0	4	29	50	5	3	-21
ESA	1	0	4	25	46	5	3	-21

Results

	COS	ESA	GUA	HON	NIC	PAN
COS	XXX	11-1	2-1	6-4	7-9	3-11
ESA	1-11	XXX	4-12	9-10	1-11	10-4
GUA	1-2	12-4	XXX	11-1	5-13	12-2
HON	4-6	10-9	1-11	XXX	1-11	13-7
NIC	9-7	11-1	13-5	11-1	XXX	12-5

PAN 11-3 4-10 2-12 7-13 5-12 XXX

Finals



Standings

- Gold: COSTA RICA
- Silver: NICARAGUA
- Bronze: GUATEMALA
- 4th: HONDURAS
- 5th: PANAMÁ
- 6th: EL SALVADOR